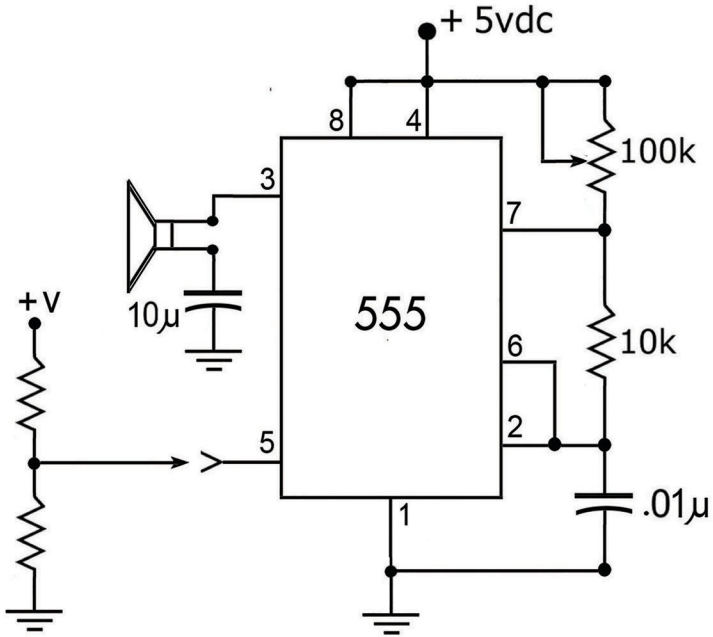


Projects using the 555 Timer Chip

555 Voltage-Controlled Oscillator



555 Timer Circuit with Relay

