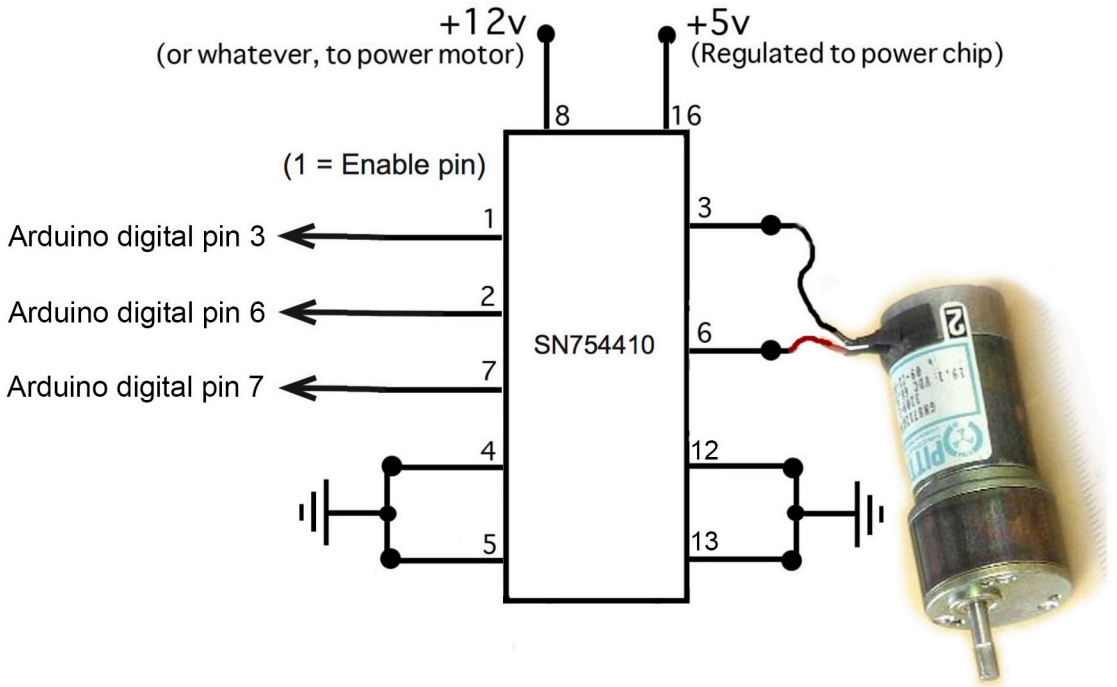


Hookup Diagram for the SN754410 Driver Chip



Pin states: D3 D6 D7 Motor behavior:

1	0	0	stop
1	1	0	forward
1	0	1	reverse
1	1	1	stop
0	--	--	coast (no control)